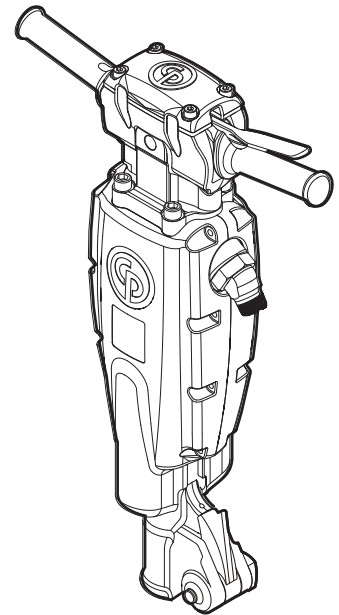




**Chicago
Pneumatic**

Spare parts list

**Handheld pneumatic breakers
CP 1210, CP 1210 S, CP 1210 SVR**



Contents

General information	5
Spare parts list	6
CP 1210 (1 x 1¼ in. 25 x 108 mm).....	6
CP 1210 S (1 x 4¼ in. 25 x 108 mm).....	8
CP 1210 S (1⅛ x 6¼ in. 28 x 160 mm and 1¼ x 6¼ in. 32 x 160 mm).....	12
CP 1210 SVR (1 x 4¼ in. 25 x 108 mm).....	16
CP 1210 (SVR 1⅛ x 6¼ in. 28 x 160 mm and 1¼ x 6¼ in. 32 x 160 mm).....	20
Working tools	23
US standard hexagon 1 x 4¼ in. (25 x 108 mm).....	23
US standard hexagon 1⅛ x 6 in. (28 x 152 mm).....	24
US standard hexagon 1¼ x 6 in. (32 x 152 mm).....	24
ISO standard hexagon 25 x 108 mm (1 x 4¼ in.).....	25
ISO standard hexagon 28 x 160 mm (1⅛ x 6¼ in.).....	25
ISO standard hexagon 32 x 160 mm (1¼ x 6¼ in.).....	26
Accessories	27
Hose rolls.....	27
Pre-mounted universal hoses with claw couplings.....	27
Water separator.....	28
Lubricator.....	28
CP airolene plus tool oil.....	28

General information

This spare parts list applies to the following:

Description

Handheld pneumatic breakers CP 1210 hexagon 1 x 4¼ in. (25 x 108 mm)

Handheld pneumatic breakers CP 1210 US hexagon 1 x 4¼ in. (25 x 108 mm)

Handheld pneumatic breakers CP 1210 S hexagon 1 x 4¼ in. (25 x 108 mm)

Handheld pneumatic breakers CP 1210 S US hexagon 1 x 4¼ in. (25 x 108 mm)

Handheld pneumatic breakers CP 1210 S hexagon 1½ x 6¼ in. (28 x 160 mm)

Handheld pneumatic breakers CP 1210 S hexagon 1¼ x 6¼ in. (32 x 160 mm)

Handheld pneumatic breakers CP 1210 SVR hexagon 1 x 4¼ in. (25 x 108 mm)

Handheld pneumatic breakers CP 1210 SVR US hexagon 1 x 4¼ in. (25 x 108 mm)

Handheld pneumatic breakers CP 1230 SVR hexagon 1½ x 6¼ in. (28 x 160 mm)

Handheld pneumatic breakers CP 1230 SVR hexagon 1¼ x 6¼ in. (32 x 160 mm)

Use only authorized parts. Any damage or malfunction caused by the use of unauthorized parts is not covered by Warranty or Product Liability. Any unauthorized use or copying of the contents or any part thereof is prohibited. This applies in particular to trademarks, model denominations, part numbers, and drawings.

Instructions for use

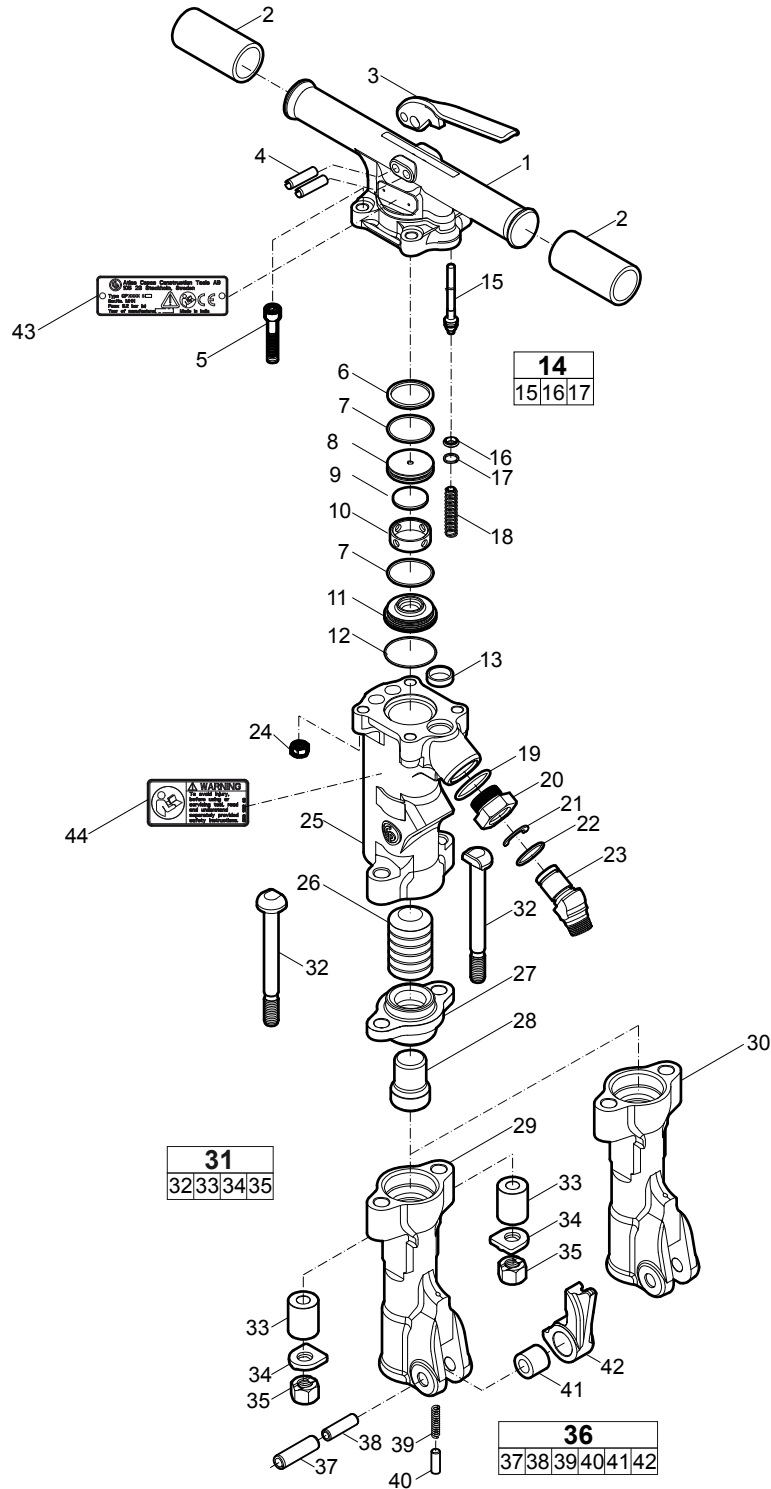
This spare parts list contains no safety regulations and is merely intended to assist in the ordering of spare parts.

For information about operating, servicing, or repairing, the relevant Safety and operating instructions must be consulted at all costs.

Please observe the safety instructions listed in the relevant Safety and operating instructions!

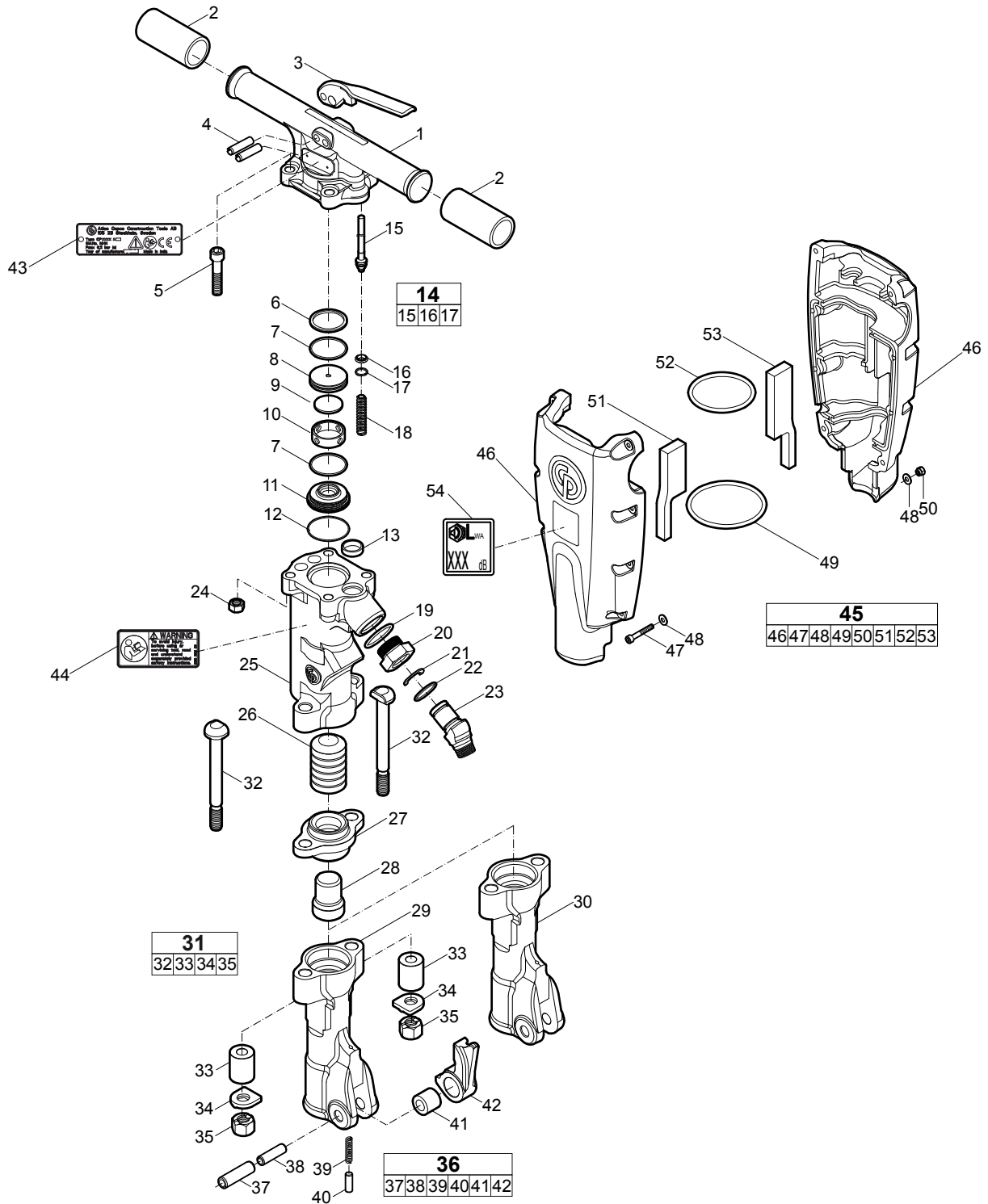
Spare parts list

CP 1210 (1 x 1 1/4 in. 25 x 108 mm)



No.	Description	Remark	Quantity	Part number
1	Backhead		1	3303 0050 00
2	Rubber grip		2	F816345
3	Trigger (start and stop device)		1	F814725
4	Roll pin		2	R133433
5	Socket head cap screw	M12 x 1.75	4	0211 1407 00
6	Gasket		1	3303 0050 31
7	O-ring		2	C102642
8	Upper valve lid		1	R138096
9	Valve		1	R138094
10	Valve case		1	R138095
11	Lower valve case lid		1	3303 0050 24
12	O-ring		1	H0310447
13	Seal - cylinder		1	R110215
14(15-17)	Throttle valve, complete		1	R092894
15	Throttle valve		1	-
16	Seal - throttle valve		1	R098368
17	Ring - valve seal retaining		1	R098369
18	Spring - throttle valve		1	R005717
19	O-ring		1	R056605
20	Nut - air inlet swivel		1	3303 0050 13
21	Lock washer - swivel		1	3310 1059 00
22	O-ring - swivel		1	0663 2126 00
23	Swivel - air inlet		1	3303 0050 12
24	Nut	M12	4	3303 0050 30
25	Cylinder		1	3303 0050 29
26	Piston		1	R110212
27	Bushing - anvil block		1	R110203
28	Block - anvil		1	R085427
29	Fronthead	1 in. (25 mm) ISO	1	F814719
30	Fronthead	1 in. (25 mm) US	1	F815478
31(32-35)	Side bolt, complete		1	3303 0050 44
32	Bolt - fronthead		2	R110217
33	Spring - steel		2	R093698
34	Lock - fronthead nut		2	R041073
35	Nut - fronthead bolt		2	R110218
36(37-42)	Latch, complete		1	3303 0050 43
37	Roll pin	16 DIA x 55 L	1	0108 1103 04
38	Roll pin	10 DIA x 55 L	1	0108 1395 00
39	Spring - plunger		1	R086982
40	Plunger - latch		1	R092497
41	Retainer latch bush		1	R048540
42	Retainer - latch		1	R092493
43	Data plate		1	-
44	Safety label		1	3310 1602 00

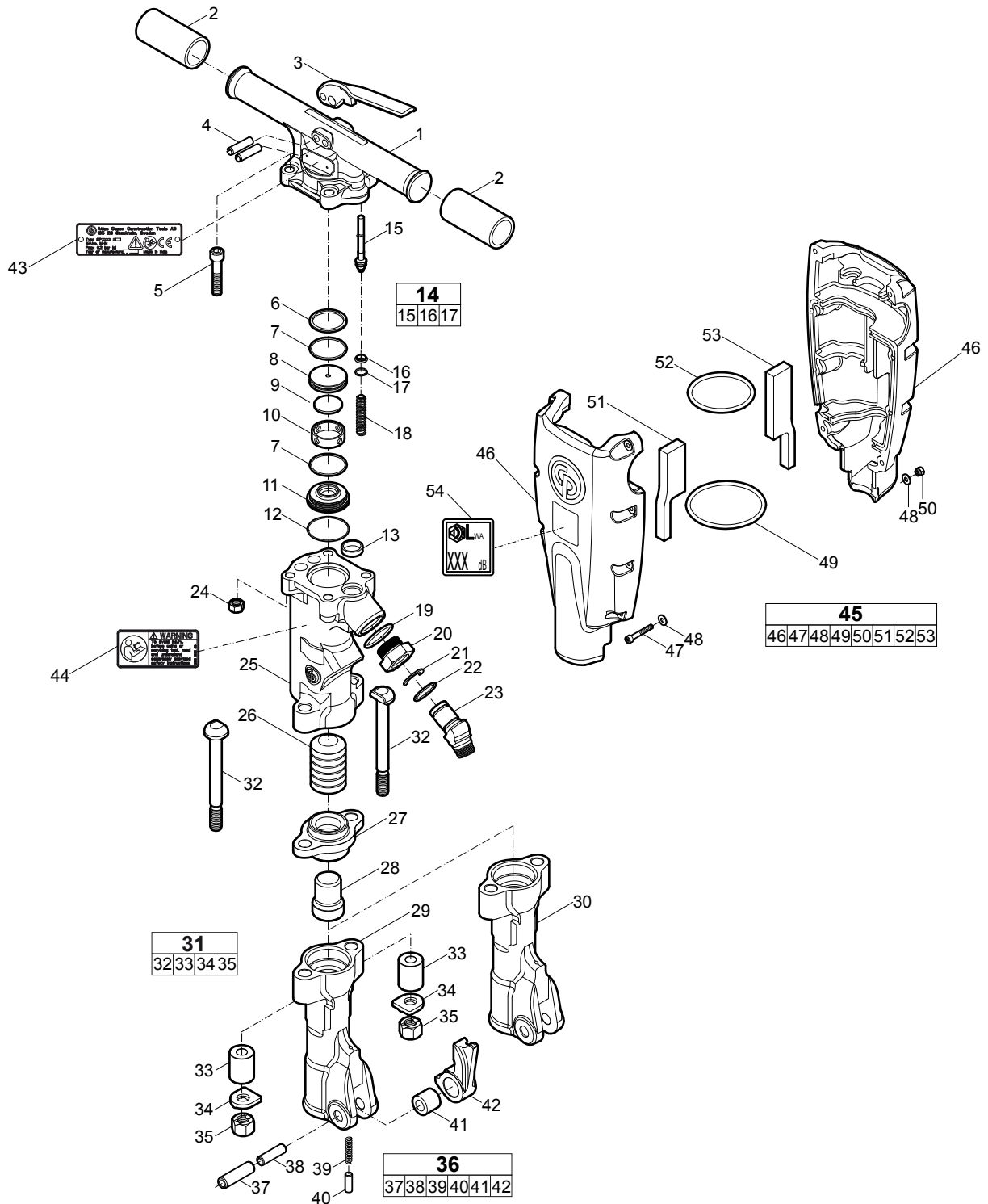
CP 1210 S (1 x 4 1/4 in. 25 x 108 mm)



No.	Description	Remark	Quantity	Part number
1	Backhead		1	3303 0050 00
2	Rubber grip		2	F816345
3	Trigger (start and stop device)		1	F814725
4	Roll pin		2	R133433
5	Socket head cap screw	M12 x 1.75	4	0211 1407 00
6	Gasket		1	3303 0050 31
7	O-ring		2	C102642
8	Upper valve lid		1	R138096
9	Valve		1	R138094
10	Valve case		1	R138095
11	Lower valve case lid		1	3303 0050 24
12	O-ring		1	H0310447
13	Seal - cylinder		1	R110215
14(15-17)	Throttle valve, complete		1	R092894
15	Throttle valve		1	-
16	Seal - throttle valve		1	R098368
17	Ring - valve seal retaining		1	R098369
18	Spring - throttle valve		1	R005717
19	O-ring		1	R056605
20	Nut - air inlet swivel		1	3303 0050 13
21	Lock washer - swivel		1	3310 1059 00
22	O-ring - swivel		1	0663 2126 00
23	Swivel - air inlet		1	3303 0050 12
24	Nut	M12	4	3303 0050 30
25	Cylinder		1	3303 0050 29
26	Piston		1	R110212
27	Bushing - anvil block		1	R110203
28	Block - anvil		1	R085427
29	Fronthead	1 in. (25 mm) ISO	1	F814719
30	Fronthead	1 in. (25 mm) US	1	F815478
31(32-35)	Side bolt, complete		1	3303 0050 44
32	Bolt - fronthead		2	R110217
33	Spring - steel		2	R093698
34	Lock - fronthead nut		2	R041073
35	Nut - fronthead bolt		2	R110218
36(37-42)	Latch, complete		1	3303 0050 43
37	Roll pin	16 DIA x 55 L	1	0108 1103 04
38	Roll pin	10 DIA x 55 L	1	0108 1395 00
39	Spring - plunger		1	R086982
40	Plunger - latch		1	R092497
41	Retainer latch bush		1	R048540
42	Retainer - latch		1	R092493
43	Data plate		1	-
44	Safety label		1	3310 1602 00
45(46-53)	Muffler, complete		1	3303 0050 42
46	Muffler		1	-
47	Socket head cap screw	M6 x 1 - 45L	8	0211 1253 00
48	Washer		16	F826979
49	O-ring - muffler	Bottom	1	0663 2146 00
50	Nyloc nut	M6 x 1	8	0291 1128 15

No.	Description	Remark	Quantity	Part number
51	Sealing pad - muffler	Left	1	3303 0050 10
52	O-ring - muffler	Top	1	0663 2143 00
53	Sealing pad - muffler	Right	1	3303 0050 11
54	Noise level label		1	-

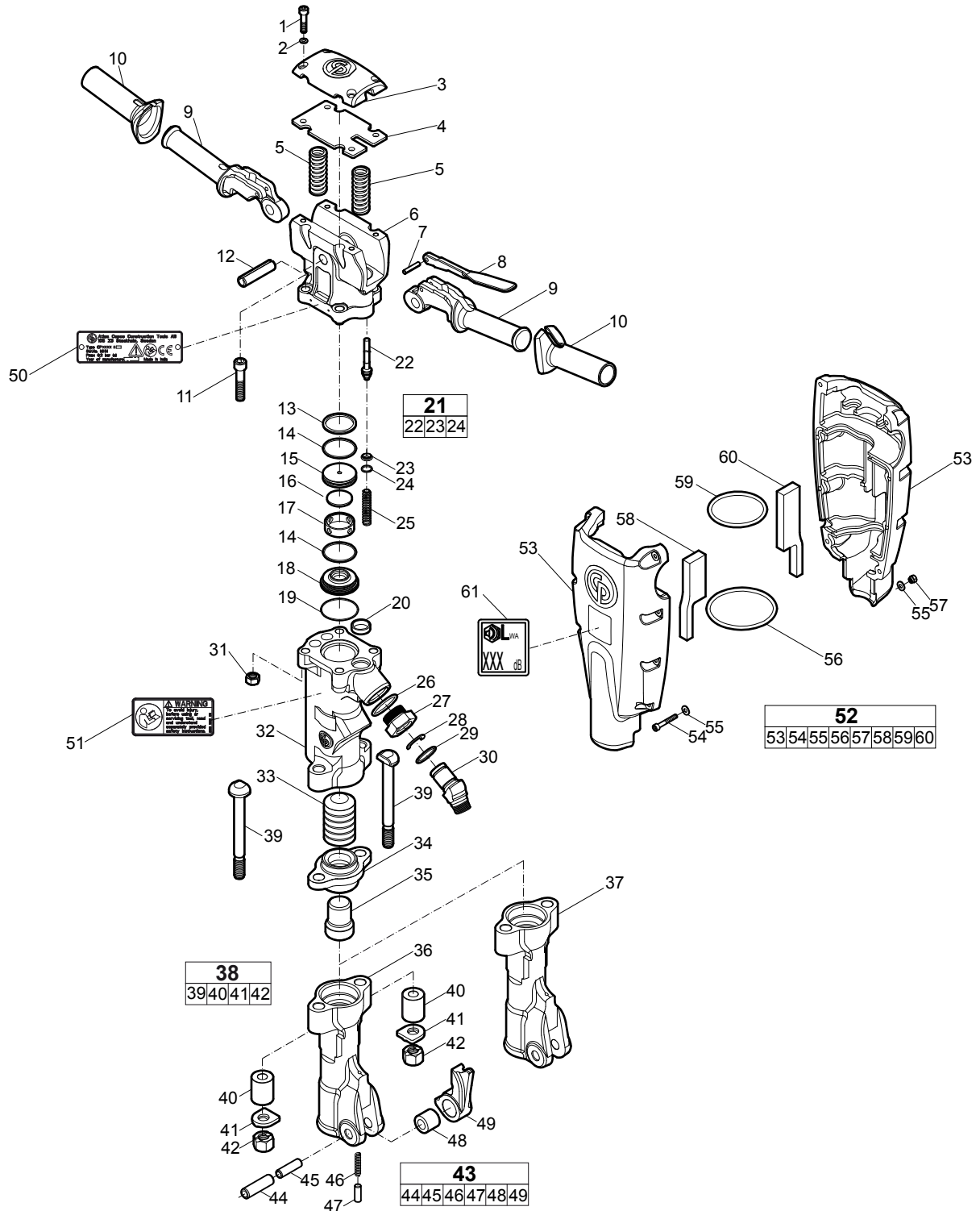
CP 1210 S (1 1/8 x 6 1/4 in. 28 x 160 mm and 1 1/4 x 6 1/4 in. 32 x 160 mm)



No.	Description	Remark	Quantity	Part number
1	Backhead		1	3303 0050 00
2	Rubber grip		2	F816345
3	Trigger (start and stop device)		1	F814725
4	Roll pin		2	R133433
5	Socket head cap screw	M12 x 1.75	4	0211 1407 00
6	Gasket		1	3303 0050 31
7	O-ring		2	C102642
8	Upper valve lid		1	R138096
9	Valve		1	R138094
10	Valve case		1	R138095
11	Lower valve case lid		1	3303 0050 24
12	O-ring		1	H0310447
13	Seal - cylinder		1	R110215
14(15-17)	Throttle valve, complete		1	R092894
15	Throttle valve		1	-
16	Seal - throttle valve		1	R098368
17	Ring - valve seal retaining		1	R098369
18	Spring - throttle valve		1	R005717
19	O-ring		1	R056605
20	Nut - air inlet swivel		1	3303 0050 13
21	Lock washer - swivel		1	3310 1059 00
22	O-ring - swivel		1	0663 2126 00
23	Swivel - air inlet		1	3303 0050 12
24	Nut	M12	4	3303 0050 30
25	Cylinder		1	3303 0050 29
26	Piston		1	R110212
27	Bushing - anvil block		1	3303 0050 05
28	Block - anvil		1	3303 0050 06
29	Fronthead	1½ x 6¼ in. (28 x 160 mm)	1	3303 0050 03
30	Fronthead	1¼ x 6¼ in. (32 x 160 mm)	1	3303 0050 02
31(32-35)	Side bolt, complete		1	3303 0050 45
32	Bolt - fronthead		2	R110217
33	Spring - steel		2	3303 0050 33
34	Lock - fronthead nut		2	R041073
35	Nut - fronthead bolt		2	R110218
36(37-42)	Latch, complete		1	3303 0050 43
37	Roll pin	16 DIA x 55 L	1	0108 1103 04
38	Roll pin	10 DIA x 55 L	1	0108 1395 00
39	Spring - plunger		1	R086982
40	Plunger - latch		1	R092497
41	Retainer latch bush		1	R048540
42	Retainer - latch		1	R092493
43	Data plate		1	-
44	Safety label		1	3310 1602 00
45(46-53)	Muffler, complete		1	3303 0050 42
46	Muffler		1	1212 1212 12
47	Socket head cap screw	M6 x 1 - 45L	8	0211 1253 00
48	Washer		16	F826979
49	O-ring - muffler	Bottom	1	0663 2146 00
50	Nyloc nut	M6 x 1	8	0291 1128 15

No.	Description	Remark	Quantity	Part number
51	Sealing pad - muffler	Left	1	3303 0050 10
52	O-ring - muffler	Top	1	0663 2143 00
53	Sealing pad - muffler	Right	1	3303 0050 11
54	Noise level label		1	-

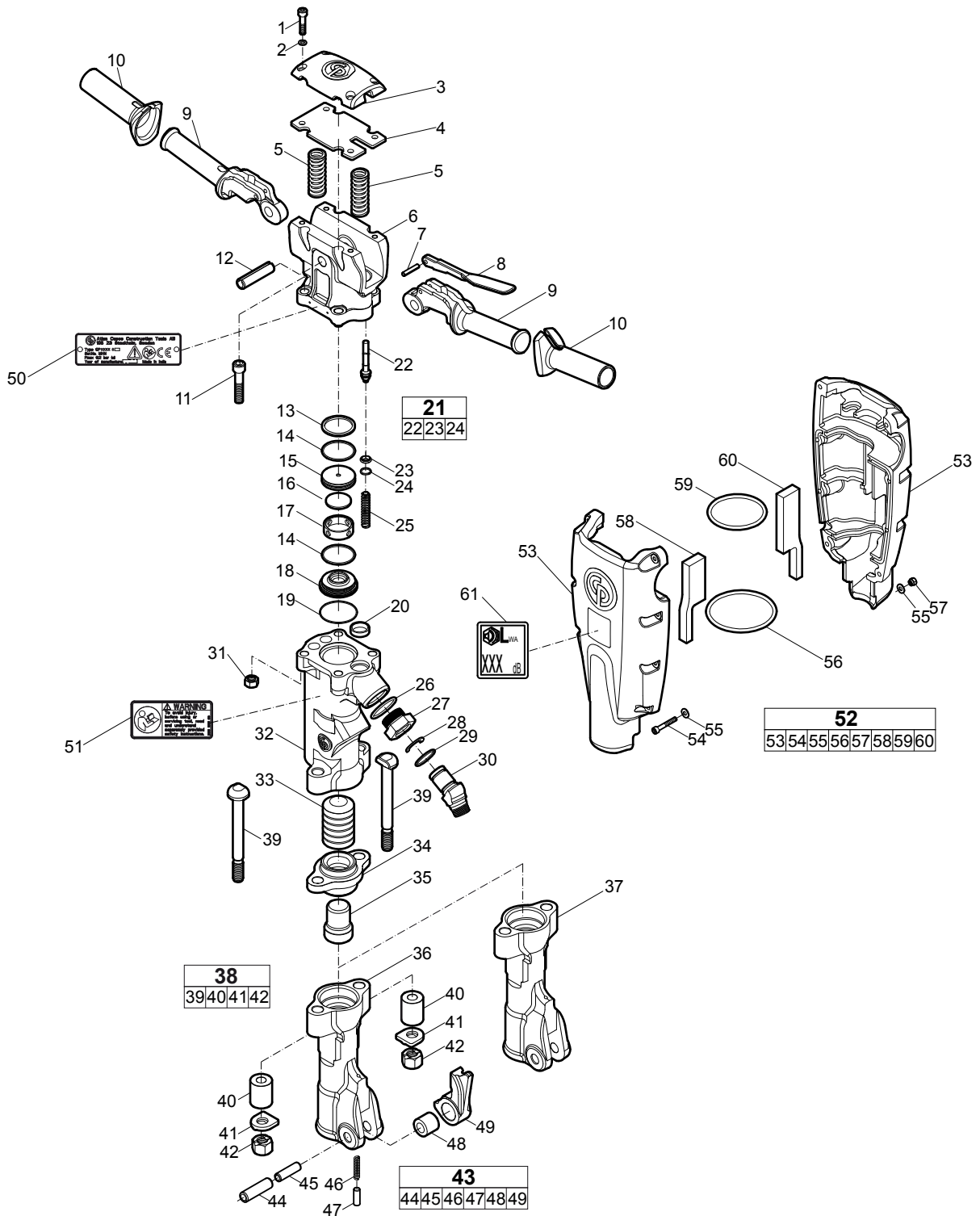
CP 1210 SVR (1 x 4¹/₄ in. 25 x 108 mm)



No.	Description	Remark	Quantity	Part number
1	Socket head cap screw	M8	4	0211 1327 00
2	Washer - top cover		4	0301 2335 00
3	Top cover		1	3303 0050 19
4	Buffer pad assembly		1	3303 0050 26
5	Spring - handle		2	3303 0050 25
6	Backhead	Vibration reduced	1	3303 0050 15
7	Pin - lever		1	R145866
8	Trigger (start and stop device)		1	3303 0050 21
9	Handle		2	3303 0050 17
10	Grip		2	3303 0050 22
11	Socket head cap screw	M12 x 1.75	4	0211 1407 00
12	Roll pin	16 DIA x 65 L	1	0108 1535 00
13	Gasket		1	3303 0050 31
14	O-ring		2	C102642
15	Upper valve lid		1	R138096
16	Valve		1	R138094
17	Valve case		1	R138095
18	Lower valve case lid		1	3303 0050 24
19	O-ring		1	H0310447
20	Seal - cylinder		1	R110215
21(22-24)	Throttle valve, complete		1	3303 0050 36
22	Throttle valve		1	-
23	Seal - throttle valve		1	R098368
24	Ring - valve seal retaining		1	R098369
25	Spring - throttle valve		1	R005717
26	O-ring		1	R056605
27	Nut - air inlet swivel		1	3303 0050 13
28	Lock washer - swivel		1	3310 1059 00
29	O-ring - swivel		1	0663 2126 00
30	Swivel - air inlet		1	3303 0050 12
31	Nut	M12	4	3303 0050 30
32	Cylinder		1	3303 0050 29
33	Piston		1	R110212
34	Bushing - anvil block		1	R110203
35	Block - anvil		1	R085427
36	Fronthead	1 in. (25 mm) ISO	1	F814719
37	Fronthead	1 in. (25 mm) US	1	F815478
38(39-42)	Side bolt, complete		1	3303 0050 44
39	Bolt - fronthead		2	R110217
40	Spring - steel		2	R093698
41	Lock - fronthead nut		2	R041073
42	Nut - fronthead bolt		2	R110218
43(44-49)	Latch, complete		1	3303 0050 43
44	Roll pin	16 DIA x 55 L	1	0108 1103 04
45	Roll pin	10 DIA x 55 L	1	0108 1395 00
46	Spring - plunger		1	R086982
47	Plunger - latch		1	R092497
48	Retainer latch bush		1	R048540
49	Retainer - latch		1	R092493
50	Data plate		1	-

No.	Description	Remark	Quantity	Part number
51	Safety label		1	3310 1602 00
52(53-60)	Muffler, complete		1	3303 0050 42
53	Muffler		1	-
54	Socket head cap screw	M6 x 1 - 45L	8	0211 1253 00
55	Washer		16	F826979
56	O-ring - muffler	Bottom	1	0663 2146 00
57	Nyloc nut	M6 x 1	8	0291 1128 15
58	Sealing pad - muffler	Left	1	3303 0050 10
59	O-ring - muffler	Top	1	0663 2143 00
60	Sealing pad - muffler	Right	1	3303 0050 11
61	Noise level label		1	-

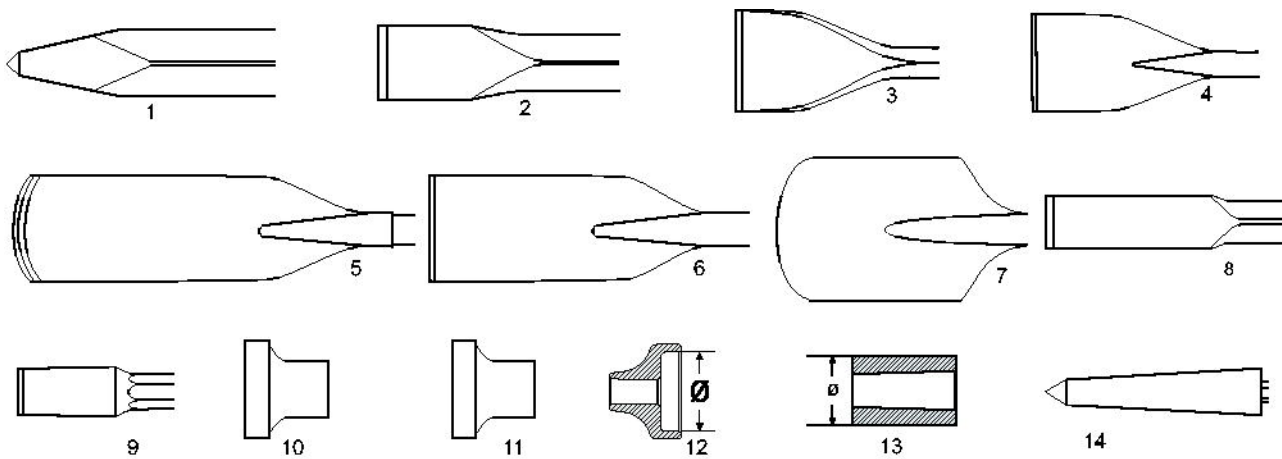
CP 1210 (SVR 1 1/8 x 6 1/4 in. 28 x 160 mm and 1 1/4 x 6 1/4 in. 32 x 160 mm)



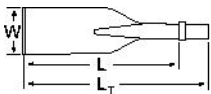
No.	Description	Remark	Quantity	Part number
1	Socket head cap screw	M8	4	0211 1327 00
2	Washer - top cover		4	0301 2335 00
3	Top cover		1	3303 0050 19
4	Buffer pad assembly		1	3303 0050 26
5	Spring - handle		2	3303 0050 25
6	Backhead	Vibration reduced	1	3303 0050 15
7	Pin - lever		1	R145866
8	Trigger (start and stop device)		1	3303 0050 21
9	Handle		2	3303 0050 17
10	Grip		2	3303 0050 22
11	Socket head cap screw	M12 x 1.75	4	0211 1407 00
12	Roll pin	16 DIA x 65 L	1	0108 1535 00
13	Gasket		1	3303 0050 31
14	O-ring		2	C102642
15	Upper valve lid		1	R138096
16	Valve		1	R138094
17	Valve case		1	R138095
18	Lower valve case lid		1	3303 0050 24
19	O-ring		1	H0310447
20	Seal - cylinder		1	R110215
21(22-24)	Throttle valve, complete		1	3303 0050 36
22	Throttle valve		1	-
23	Seal - throttle valve		1	R098368
24	Ring - valve seal retaining		1	R098369
25	Spring - throttle valve		1	R005717
26	O-ring		1	R056605
27	Nut - air inlet swivel		1	3303 0050 13
28	Lock washer - swivel		1	3310 1059 00
29	O-ring - swivel		1	0663 2126 00
30	Swivel - air inlet		1	3303 0050 12
31	Nut	M12	4	3303 0050 30
32	Cylinder		1	3303 0050 29
33	Piston		1	R110212
34	Bushing - anvil block		1	3303 0050 05
35	Block - anvil		1	3303 0050 06
36	Fronthead	1½ x 6¼ in. (28 x 160 mm)	1	3303 0050 03
37	Fronthead	1¼ x 6¼ in. (32 x 160 mm)	1	3303 0050 02
38(39-42)	Side bolt, complete		1	3303 0050 45
39	Bolt - fronthead		2	R110217
40	Spring - steel		2	3303 0050 33
41	Lock - fronthead nut		2	R041073
42	Nut - fronthead bolt		2	R110218
43(44-49)	Latch, complete		1	3303 0050 43
44	Roll pin	16 DIA x 55 L	1	0108 1103 04
45	Roll pin	10 DIA x 55 L	1	0108 1395 00
46	Spring - plunger		1	R086982
47	Plunger - latch		1	R092497
48	Retainer latch bush		1	R048540
49	Retainer - latch		1	R092493
50	Data plate		1	-

No.	Description	Remark	Quantity	Part number
51	Safety label		1	3310 1602 00
52(53-60)	Muffler, complete		1	3303 0050 42
53	Muffler		1	-
54	Socket head cap screw	M6 x 1 - 45L	8	0211 1253 00
55	Washer		16	F826979
56	O-ring - muffler	Bottom	1	0663 2146 00
57	Nyloc nut	M6 x 1	8	0291 1128 15
58	Sealing pad - muffler	Left	1	3303 0050 10
59	O-ring - muffler	Top	1	0663 2143 00
60	Sealing pad - muffler	Right	1	3303 0050 11
61	Noise level label		1	-

Working tools

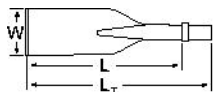


US standard hexagon 1 x 4¼ in. (25 x 108 mm)



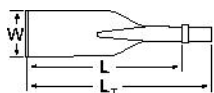
No.	Description	W (in.)	L (in.)	L _T (in.)	Wt (lb)	Part number
1	Moil point	-	15	20	4.6	3083 4030 00
		-	18	22	5.3	3083 4030 10
		-	24	29	6.8	3083 4030 20
		-	36	41	9.7	3083 4030 30
2	Narrow chisel	-	15	20	4.6	3083 3309 00
		-	18	22	5.3	3083 4031 10
		-	24	29	6.8	3083 4031 20
		-	36	41	9.7	3083 4031 30
3	Wide chisel	3	15	20	5.3	3083 3310 00
		3	18	22	5.7	3083 4032 00
		3	24	29	7.3	3083 4032 10
		3	36	41	10.3	3083 4032 20
4	Asphalt cutter	4½	12	16¾	7.1	3083 4034 00
		5	13	17¾	6.4	3083 4033 00
5	Digging chisel	3	15	20	7.0	3083 3311 00
6	Digging spade	4¾	13	17¾	8.8	3083 3312 00
7	Clay spade	4	16	21	6.2	3083 4035 10
		5	16	21	8.2	3083 4035 00
8	Wedge chisel	2	15	20	10.4	3083 3313 00
9	Shaft for tamping pad	-	11	16	4.2	3083 4037 00
10	Tamping pad, round	ø7	-	-	16.8	3083 3252 10
11	Tamping pad, square	□7	-	-	13.5	3083 3239 00
12	Driver pad, round	ø4	-	-	5.7	9245 2817 90
		ø2½	-	-	4.2	3371 8060 12
14	Posthole pad	1½	-	-	6.0	9245 2822 30

US standard hexagon 1 1/8 x 6 in. (28 x 152 mm)



No.	Description	W (in.)	L (in.)	L _T (in.)	Wt (lb)	Part number
1	Moil point	-	14	20	6.0	3083 3267 00
		-	18	24	7.1	3083 4015 10
		-	24	30	9.0	3083 4015 20
		-	36	42 1/2	12.8	3083 4015 30
2	Narrow chisel	-	14	20	6.0	3083 3268 00
		-	18	24	7.1	3083 4016 10
		-	24	30 1/2	9.0	3083 4016 20
		-	36	42 1/2	12.8	3083 4016 30
3	Wide chisel	3	15	21	6.8	3083 3289 00
		3	18	24	7.7	3083 4017 00
		3	24	31	9.5	3083 4017 10
		3	36	42 1/2	13.0	3083 4017 20
4	Asphalt cutter	4 1/2	11	17 1/2	7.7	3083 4019 00
		5	13	19 1/2	9.0	3083 3290 00
5	Digging chisel	3	15	21	9.0	3083 3291 00
6	Digging spade	5	13	19	9.0	3083 3292 00
7	Clay spade	5 1/2	15	21	9.9	3083 3293 00
8	Wedge chisel	2	16	22	11.0	3083 3294 00
9	Shaft for tamping pad	-	9	16	6.4	3083 3269 00
10	Tamping pad, round	7	-	-	15.7	3083 3301 00
11	Tamping pad, square	6	-	-	18.1	3083 3302 00
		8	-	-	22.0	3083 3197 00
12	Driving pad	4 3/4	-	-	16.8	3376 1120 79
		6	-	-	19.2	3376 1120 77
13	Driver blank	3	-	-	7.5	9245 2827 10

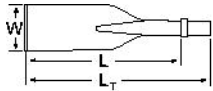
US standard hexagon 1 1/4 x 6 in. (32 x 152 mm)



No.	Description	W (in.)	L (in.)	L _T (in.)	Wt (lb)	Part number
1	Moil point	-	14	20	7.3	3083 3285 00
		-	18	24	8.6	3083 4000 10
		-	24	30 1/2	11.2	3083 4000 20
		-	36	42 1/2	15.4	3083 4000 30
2	Narrow chisel	-	14	20	7.0	3083 3286 00
		-	18	24	8.4	3083 4001 10
		-	24	30 1/2	10.8	3083 4001 20
		-	36	42 1/2	15.4	3083 4001 30
3	Wide chisel	3	15	20	7.9	3083 3295 00
		3	18	24	9.3	3083 4002 00
		3	24	30 1/2	11.2	3083 4002 10
		3	36	42 1/2	14.8	3083 4002 20

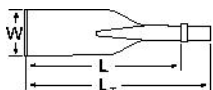
No.	Description	W (in.)	L (in.)	L _T (in.)	Wt (lb)	Part number
4	Asphalt cutter	4½	12	18½	8.8	3083 4004 00
		5	13	19½	9.0	3083 3296 00
5	Digging chisel	3	15	21	9.9	3083 3297 00
6	Digging spade	5	13	19	9.5	3083 3298 00
7	Clay spade	5½	15	21	11.7	3083 3299 00
8	Wedge chisel	2	16	22	11.5	3083 3300 00
9	Shaft for tamping pad	-	9	16	6.8	3083 3287 00
10	Tamping pad, round	7	-	-	15.7	3083 3301 00
11	Tamping pad, square	6	-	-	18.1	3083 3302 00
		8	-	-	22.0	3083 3197 00
12	Driving pad	4¾	-	-	16.8	3376 1120 79
		6	-	-	19.2	3376 1120 77
13	Driver blank	3	-	-	7.5	9245 2827 10

ISO standard hexagon 25 x 108 mm (1 x 4¼ in.)



No.	Description	W (mm)	L (mm)	L _T (mm)	Wt (kg)	Part number
1	Moil point	-	380	500	2.0	3083 3253 00
2	Narrow chisel	-	380	500	2.1	3083 3254 00
3	Wide chisel	75	380	500	2.3	3083 3255 00
5	Digging chisel	75	380	500	3.1	3083 3256 00
6	Digging spade	120	380	500	4.2	3083 3257 00
7	Clay spade	125	430	550	3.8	3083 3033 00
8	Wedge chisel	35	380	500	2.5	3083 3258 00
9	Shaft for tamping pad	-	280	400	2.1	3083 3259 00
10	Tamping pad, round	∅175	-	-	7.6	3083 3252 10
11	Tamping pad, square	□175	-	-	6.1	3083 3239 00
12	Driver pad, round	∅100	-	-	2.6	9245 2817 90
		∅65	-	-	1.9	3371 8060 12
14	Posthole pad	40	-	-	2.7	9245 2822 30

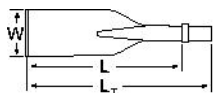
ISO standard hexagon 28 x 160 mm (1⅛ x 6¼ in.)



No.	Description	W (mm)	L (mm)	L _T (mm)	Wt (kg)	Part number
1	Moil point	-	380	545	2.9	3083 3271 00
		-	450	615	3.2	3083 3272 00
		-	1000	1165	6.2	3083 3273 00
2	Narrow chisel	-	380	545	2.8	3083 3274 00

No.	Description	W (mm)	L (mm)	L _T (mm)	Wt (kg)	Part number
		-	450	615	3.3	3083 3275 00
		-	1000	1165	6.4	3083 3276 00
3	Wide chisel	75	380	545	3.0	3083 3277 00
4	Asphalt cutter	115	300	465	3.7	3083 3278 00
5	Digging chisel	75	380	545	4.1	3083 3279 00
6	Digging spade	125	380	545	4.6	3083 3280 00
7	Clay spade	140	380	545	4.1	3083 3281 00
8	Wedge chisel	40	400	565	3.9	3083 3282 00
9	Shaft for tamping pad	-	230	395	3.0	3083 3283 01
10	Tamping pad, round	180	-	-	7.1	3083 3301 00
11	Tamping pad, square	150	-	-	8.2	3083 3302 00
		200	-	-	10.0	3083 3197 00
12	Driving pad	120	-	-	7.6	3376 1120 79
		150	-	-	8.7	3376 1120 77
13	Driver blank	80	-	-	3.4	9245 2827 10

ISO standard hexagon 32 x 160 mm (1¼ x 6¼ in.)



No.	Description	W (mm)	L (mm)	L _T (mm)	Wt (kg)	Part number
1	Moil point	-	380	545	3.5	3083 3205 00
		-	450	615	3.9	3083 3206 00
		-	1000	1165	7.6	3083 3207 00
2	Narrow chisel	-	380	545	3.5	3083 3208 00
		-	450	615	4.0	3083 3209 00
		-	1000	1165	7.5	3083 3210 00
3	Wide chisel	75	380	545	3.7	3083 3211 00
4	Asphalt cutter	115	300	465	4.0	3083 3212 00
5	Digging chisel	75	380	545	4.4	3083 3213 00
6	Digging spade	125	380	545	4.9	3083 3214 00
7	Clay spade	140	380	545	4.4	3083 3215 00
8	Wedge chisel	40	400	565	3.8	3083 3216 00
9	Shaft for tamping pad	-	235	400	3.1	3083 3218 01
10	Tamping pad, round	180	-	-	7.1	3083 3301 00
11	Tamping pad, square	150	-	-	8.2	3083 3302 00
		200	-	-	10.0	3083 3197 00
12	Driving pad	120	-	-	7.6	3376 1120 79
		150	-	-	8.7	3376 1120 77
13	Driver blank	80	-	-	3.4	9245 2827 10

Accessories

Hose rolls

Metric

Description	Inner diameter (mm)	Thickness (mm)	Maximum working pressure (bar)	Length of roll (m)	Weight (kg)	Part number
Red-X hose roll	19	2.0	20	60	11	8900 0050 10
Red-X hose roll	19	2.0	20	100	18	8900 0050 11
Red-X hose roll	19	2.0	20	200	36	8900 0050 12
Red-X hose roll	25	2.5	20	60	15	8900 0050 20
Red-X hose roll	25	2.5	20	100	25	8900 0050 21
Red-X hose roll	25	2.5	20	200	50	8900 0050 22

Imperial

Description	Inner diameter (in.)	Thickness (in.)	Maximum working pressure (psi)	Length of roll (ft)	Weight (lb)	Part number
Red-X hose roll	$\frac{3}{4}$	$\frac{5}{64}$	290	195	24.3	8900 0050 10
Red-X hose roll	$\frac{3}{4}$	$\frac{5}{64}$	290	325	39.7	8900 0050 11
Red-X hose roll	$\frac{3}{4}$	$\frac{5}{64}$	290	650	79.4	8900 0050 12
Red-X hose roll	1	$\frac{3}{32}$	290	195	33.1	8900 0050 20
Red-X hose roll	1	$\frac{3}{32}$	290	325	55.1	8900 0050 21
Red-X hose roll	1	$\frac{3}{32}$	290	650	110.2	8900 0050 22

Pre-mounted universal hoses with claw couplings

Metric

Description	Inner diameter (mm)	Thickness (mm)	Maximum working pressure (bar)	Length of roll (m)	Weight (kg)	Part number
Red-X universal hose	19	2.0	20	20	4.5	8900 0050 09
Red-X universal hose	25	2.5	20	20	6.0	8900 0050 23

Imperial

Description	Inner diameter (in.)	Thickness (in.)	Maximum working pressure (psi)	Length of roll (ft)	Weight (lb)	Part number
Red-X universal hose	$\frac{3}{4}$	$\frac{5}{64}$	290	50	8.8	8900 0050 08
Red-X universal hose	1	$\frac{3}{32}$	290	50	11.0	8900 0050 24

Water separator

Metric

Description	Hose connection (mm)	Air flow (l/s)	Weight (kg)	Part number
Water separator (¾ in. BSP)	20	61	0.8	8900 0050 00

Imperial

Description	Hose connection (in.)	Air flow (foot ³ /min)	Weight (lb)	Part number
Water separator (¾ in. NPT)	¾	130	1.8	8900 0050 01

Lubricator

Metric

Description	Hose connection (mm)	Air flow (l/s)	Oil volume (l)	Weight (kg)	Part number
Lubricator 1300 (1 in. BSP)	25	15-140	1.3	3	8900 0050 02

Imperial

Description	Hose connection (in.)	Air flow (foot ³ /min)	Oil volume (US gallon)	Weight (lb)	Part number
Lubricator 43 (1 in. NPT)	1	32-300	0.34	6.6	8900 0050 07

CP airolene plus tool oil

Metric

Description	Oil volume (l)	Part number
5 l container	5	8099 0202 49
4 x 5 l container	20	8099 0202 51

Imperial

Description	Oil volume (US gallon)	Part number
1.32 US gallon container	1.32	8099 0202 49
4 x 1.32 US gallon container	5.28	8099 0202 51

