

LWP 2, LTP 3

Submersible Pump

Pompe submersible

Tauchpumpe

Bomba Hidráulica Sumergible

Bomba Hidráulica Submersível

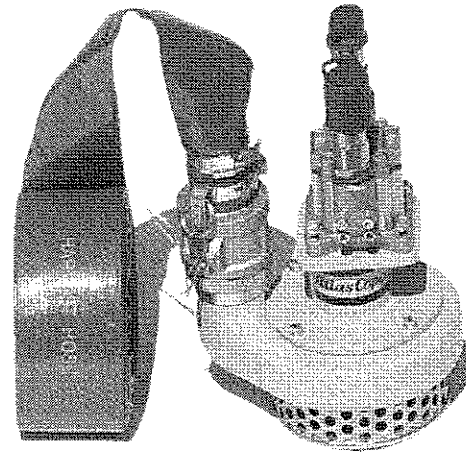
Pompa Sommergibile

Domelpomp

Uppovesipumppu

Dykpumpe

Dränkbar Pump



LWP 2, LTP 3

Spare parts list

Liste de pièces de rechange

Ersatzteilliste

Lista de piezas de repuesto

Lista de peças

Listino ricambi

Onderdelenlijst

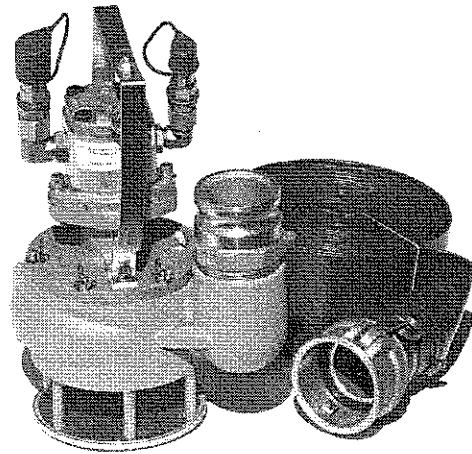
Katalodow antallaktikuw

Varaosa luettelo

Reservdelsliste

Reservdelfortegnelse

Reservdelsförteckning



Atlas Copco

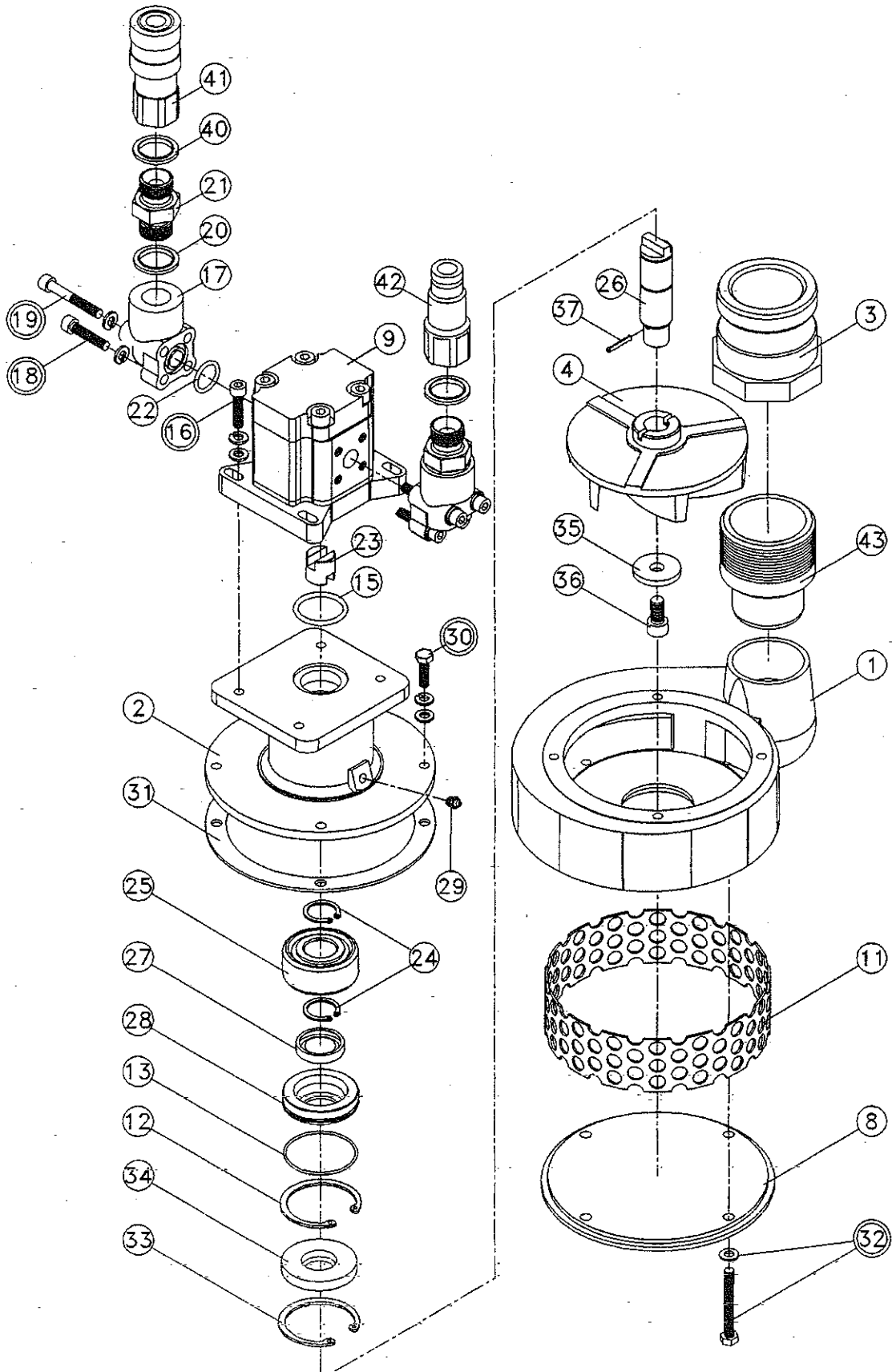


Fig. No. No. de fig. Abb. Nr. Núm de fig. Fig. No No rif. Fig. Nr Kuva nr. Fig. nr. Fig. nr. Fig. nr.	Ordering No Référence Bestellnummer Núm. Pedido Encomenda No No Cat. Bestel nr. Tilaus nro. Bestillingsnummer Bestillingsnummer Best. nummer	Quantity Quantité Anzahl Cantidad Quantidade Quantität Aantal Lukumäärä Antal Antal Antal	Description Description Beschreibung Descripción Descrição Descripción Omskrivning Nimitys Beskrivelse Beskrivelse Beskrivning	Contents Sommaire Inhalt Índice Conteúdo Contenuto Inhoud Sisältö Indhold Innhold Innehåll	Dimensions Dimensions Abmessungen Dimensiones Dimensões Dimensioni Afmetingen Mitat Dimensioner Dimensjoner Dimensioner
-------------------------------------------------------------------------------------------------------------------------------------	----------------------------------------------------------------------------------------------------------------------------------------------------------------------------	-------------------------------------------------------------------------------------------------------------------------	--------------------------------------------------------------------------------------------------------------------------------------------------------------	--------------------------------------------------------------------------------------------------------------------------	-------------------------------------------------------------------------------------------------------------------------------------------------------

LWP 2

1	3376 6060 21	1	Pump housing		
2	3376 6060 22	1	Bearing housing		
3	3378 2060 03	1	Coupling, discharge	for 2" Snap-on connection	
4	3376 6060 03	1	Blade		
8	3376 6060 10	1	Bottom plate		
9	3378 2060 08	1	Hydraulic motor	6 cc	
11	3376 6060 09	1	Filter		
12	3378 2060 12	1	Circlip	J 47	
13	3378 2060 13	1	O-ring	ø43x1.6	
15	3376 1000 38	1	O-ring	ø28x3	
16	3378 2060 16	4	Cap screw	M6x25	
17	3378 2060 17	2	Connecting block	Incl. Fig. No. 18, 19, 22	
18	3378 2060 44	4	Cap screw	M6x30	
19	3378 2060 18	4	Cap screw	M6x45	
20	3371 8057 14	2	Seal ring	Bonded seal ½" BSP	
21	3371 8057 11	2	Nipple	½" BSP M – ½" BSP M	
22	3378 2060 21	2	O-ring	ø15.88x2.62	
23	3376 6060 06	1	Coupling	Dog shaft	
24	3378 2060 24	2	Circlip	A 20	
25	3378 2060 25	1	Bearing	ø20/ø47x20.6	
26	3376 6060 05	1	Shaft		
27	3376 1001 66	1	Lip seal	ø20, High pressure	
28	3376 6060 07	1	Seal retainer		
29	3376 1001 64	1	Grease nipple	M6x1	
30	3378 2060 30	4	Cap screw	M6x20	
31	3376 6060 11	1	Gasket complete	Service kit	
32	3376 1001 63	4	Cap screw	M6x50	
33	3378 2060 12	1	Circlip	J 47	
34	3376 1001 65	1	Seal	Water protection	
35	3376 6060 08	1	Washer		
36	3378 2060 36	1	Screw	M8x16	
37	3377 0004 81	1	Roll pin	ø3x20	
40	3371 8057 14	2	Seal ring	Bonded seal ½" BSP	

Fig. No.	Ordering No	Quantity	Description	Contents	Dimensions
No. de fig.	Référence	Quantité	Déscription	Sommaire	Dimensions
Abb. Nr.	Bestellnummer	Anzahl	Beschreibung	Inhalt	Abmessungen
Núm de fig.	Núm. Pedido	Cantidad	Descripción	Índice	Dimensiones
Fig. No	Encomenda No	Quantidade	Descrição	Conteúdo	Dimensões
No rif.	No Cat.	Quantità	Descripción	Contenuto	Dimensioni
Fig. Nr	Bestel nr.	Aantal	Omschrijving	Inhoud	Afmetingen
Kuva nr.	Tilaus nro.	Lukumäärä	Nimitys	Sisältö	Mitat
Fig. nr.	Bestillingsnummer	Antal	Beskrivelse	Indhold	Dimensioner
Fig. nr.	Bestillingsnummer	Antall	Beskrivelse	Innhold	Dimensjoner
Fig. nr.	Best. nummer	Antal	Beskrivning	Innehåll	Dimensioner

LWP 2

41	3371 8051 33	1	Quick release coupling	½" Female
42	3371 8051 34	1	Quick release coupling	½" Male
43	3376 6060 13	1	Nipple	2" Male
-	3376 6060 15		Seal kit	Incl. Fig. No.13/15/22/27/34
-	3378 0021 00		Discharge hose	10 m, 2", Incl. Snap-on Hose fitting and clamps

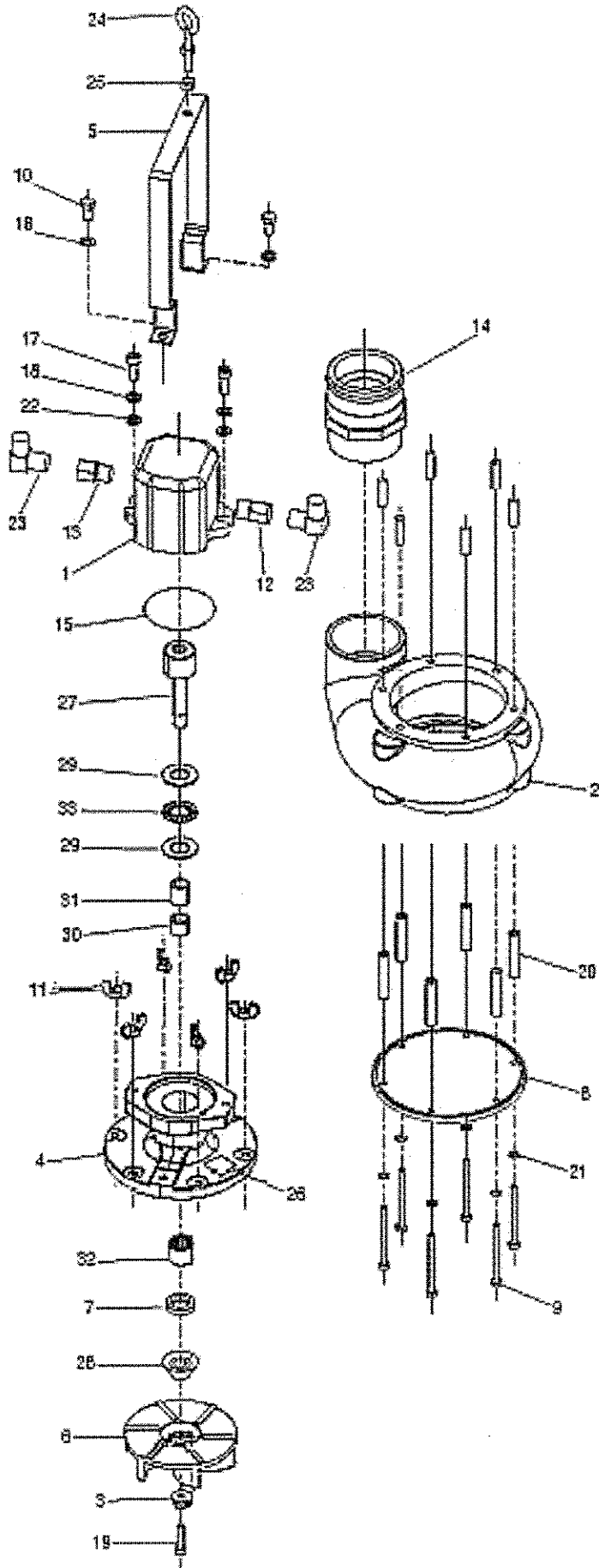


Fig. No.	Ordering No	Quantity	Description	Contents	Dimensions
No. de fig.	Référence	Quantité	Déscription	Sommaire	Dimensions
Abb. Nr.	Bestellnummer	Anzahl	Beschreibung	Inhalt	Abmessungen
Núm de fig.	Núm. Pedido	Cantidad	Descripción	índice	Dimensiones
Fig. No	Encomenda No	Quantidade	Descrição	Conteúdo	Dimensões
No rif.	No Cat.	Quantitá	Descrição	Contenuto	Dimensioni
Fig. Nr	Bestel nr.	Aantal	Omschrijving	Inhoud	Afmetingen
Kuva nr.	Tilaus nro.	Lukumäärä	Nimitys	Sisältö	Mitat
Fig. nr.	Bestillingsnummer	Antal	Beskrivelse	Indhold	Dimensioner
Fig. nr.	Bestillingsnummer	Antall	Beskrivelse	Innhold	Dimensjoner
Fig. nr.	Best. nummer	Antal	Beskrivning	Innehåll	Dimensioner

LTP 3

1	3376 6120 01	1	Hydraulic motor		
2	3376 6120 02	1	Housing	Incl. volute and 6 off studs	
3	3376 6120 03	1	Cone washer		
4	3376 6120 04	1	Cover plate		
5	3376 6120 05	1	Handle		
6	3376 6120 06	1	Impeller		
7	3376 6120 07	1	Seal		
8	3376 6120 08	1	Base		
9	3376 6120 09	6	Screw	1/4 - 20 x 3/4"	
10	3376 6120 10	2	Screw	3/8 - 16 x 3/4"	
11	3376 6120 11	6	Wing nut	3/8 - 16	
12	3376 6120 12	1	Adapter	1-1/16 M SAE - 1/2 NPT F	
13	3376 6120 13	1	Adapter	7/8 M SAE - 1/2 NPT F	
14	3376 6120 14	1	Coupling	3" Cam locking, male	
15	3376 6120 15	1	O-ring		
17	3376 6120 17	2	Cap screw	3/8" - 16 x 1"	
18	3376 6120 18	4	Lock washer	3/8"	
19	3376 6120 19	1	Cap screw	5/16 - 18 x 1 1/4"	
20	3376 6120 20	6	Bushing	1/2" Aluminium	
21	3376 6120 21	6	Lock washer	1/4"	
22	3376 6120 22	2	Washer	3/8" Flat	
23	3376 6120 23	2	90° Elbow	1/2 NPT M - 1/2 NPT M	
24	3376 6120 24	1	Eyebolt	3/8 - 16 x 3 1/2" with nut	
25	3376 6120 25	1	Hex nut	3/8 - 16	

Fig. No.	Ordering No	Quantity	Description	Contents	Dimensions
No. de fig.	Référence	Quantité	Déscription	Sommaire	Dimensions
Abb. Nr.	Bestellnummer	Anzahl	Beschreibung	Inhalt	Abmessungen
Núm de fig.	Núm. Pedido	Cantidad	Descripción	Índice	Dimensiones
Fig. No	Encomenda No	Quantidade	Descrição	Conteúdo	Dimensões
No rif.	No Cat.	Quantitá	Descrição	Contenuto	Dimensioni
Fig. Nr	Bestel nr.	Aantal	Omschrijving	Inhoud	Afmetingen
Kuva nr.	Tilaus nro.	Lukumäärä	Nimitys	Sisältö	Mitat
Fig. nr.	Bestillingsnummer	Antal	Beskrivelse	Indhold	Dimensioner
Fig. nr.	Bestillingsnummer	Antall	Beskrivelse	Innhold	Dimensjoner
Fig. nr.	Best. nummer	Antal	Beskrivning	Innehåll	Dimensioner

LTP 3

27	3376 6120 27	1	Drive shaft	
28	3376 6120 28	1	Seal guard	
29	3376 6120 29	2	Thrust washer	
30	3376 6120 30	1	Race	short bearing
31	3376 6120 31	1	Race	long bearing
32	3376 6120 32	1	Bearing	caged retained rollers
33	3376 6120 33	1	Bearing	thrust, needle
-	3378 0021 01	1	Discharge hose	10 m, 3", Incl. snap-on Hose-fitting and clamps
-	3371 8051 56	1	Quick release coupling	½" Female, Not illustrated
-	3371 8051 57	1	Quick release coupling	½" Male, Not illustrated
-	3371 8057 32	1	Protective cap	½" Male, Not illustrated
-	3371 8057 33	1	Protective cap	½" Female, Not illustrated